

# MAGNETIC SEPARATION

## ELECTROMAGNETIC PLATE

## TECHNICAL DATA SHEET

The electromagnetic separators suspended on conveyor belts, are the most effective equipment for removal of ferrous contamination from other nonferrous materials.

Consist of an electromagnet which creates powerful magnetic fields that are generated by electrical coils which provide the required attractive force to separate the iron pieces. Those pieces are attracted towards the poles remaining there until they are manually cleaned. The cleaning is performed by the demagnetization of the equipment, so all ferrous contaminants will come off.

Its main mission is the protection of crushing and grinding equipment against damage and wear caused by the presence of iron pieces.

The electromagnetic plates separate ferrous particles from other materials in the recycling processes. Lower production costs by avoiding repairs to the crushing equipment. At the same time this magnetic system increases productivity by avoiding downtime repair periods and raises the value of the materials by increasing their purity.

### Specifications:

- Housing made of high magnetic permeability steel and fully welded.
- Sturdy construction to withstand heavy industrial work.
- Coils built in aluminum or copper
- Insulation class H (200 °C).
- Protective structure for coils made of stainless steel, fully welded.

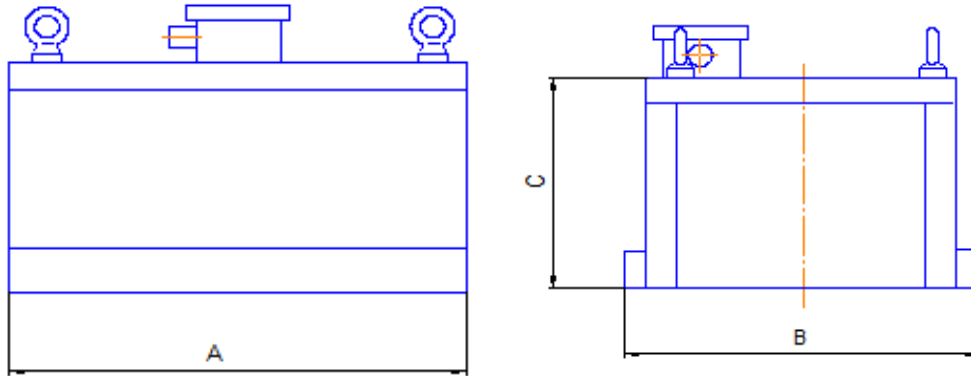
### Features:

- High depth of the magnetic field.
- Powerful electromagnetic coils.
- High ability to capture and separate
- Long durability of the equipment.

# MAGNETIC SEPARATION

## ELECTROMAGNETIC PLATE

## TECHNICAL DATA SHEET



### Standard units

CODE	BELT	A	B	C	DISTANCE	KG	IMPURITIES KG.	VCC
IDGPEL600-1	600	600	400	620	250	600	0,01 - 10	220
IDGPEL600-2	600	600	400	680	350	750	0,01 - 10	220
IDGPEL800-1	800	780	460	680	300	850	0,01 - 15	220
IDGPEL800-2	800	780	460	760	400	1000	0,01 - 15	220
IDGPEL1000-1	1000	980	500	820	350	1100	0,01 - 20	220
IDGPEL1000-2	1000	980	500	820	450	1250	0,01 - 20	220
IDGPEL1200-1	1200	1100	520	820	400	1400	0,01 - 25	220
IDGPEL1200-2	1200	1100	520	860	550	1750	0,01 - 25	220
IDGPEL1400-1	1400	1300	620	850	450	1900	0,01 - 25	220
IDGPEL1400-2	1400	1300	640	1020	600	2300	0,01 - 25	220
IDGPEL1600-1	1600	1500	640	880	450	2100	0,01 - 30	220
IDGPEL1600-2	1600	1500	660	1040	600	3100	0,01 - 30	220
IDGPEL1800-1	1800	1700	640	1020	450	2900	0,01 - 35	220
IDGPEL1800-2	1800	1700	680	1200	650	3500	0,01 - 35	220
IDGPEL2000-1	2000	1900	640	1080	500	3700	0,01 - 35	220
IDGPEL2000-2	2000	1900	700	1150	700	4300	0,01 - 35	220



Control unit

