

MAGNETIC SEPARATION

MAGNETIC GRIDS

TECHNICAL DATA SHEET

The Magnetic Grids are specially designed for the separation and removal of iron particles from the raw materials into hoppers. Usually used in the industries of plastic, food or recycling of grainy or powdered material.

Very easy to install and easy to clean by taking off the grid from the hopper and removing all ferrous material attached to the grid with a glove or compressed air.

The grids are built with a magnetic circuit of Neodymium grade 35 that can bear a working temperature of 80 ° C. This is the standard but on request can be manufactured to bear 100 ° C, 120 ° C, 140 ° C, 160 ° C, 180 ° C and 200 ° C.

The standard diameter of the bars is 25 or 34 mm.

All our grids are watertight.

Our standard grids are built with two supports that are the central axis of the grid and holds the bars. If any bar gets damaged it is no need to change the whole grid, the bar can be removed from the racks and change it for a new one.

Construction:

Magnetic circuit constructed with Neodymium magnets or ceramic magnets.

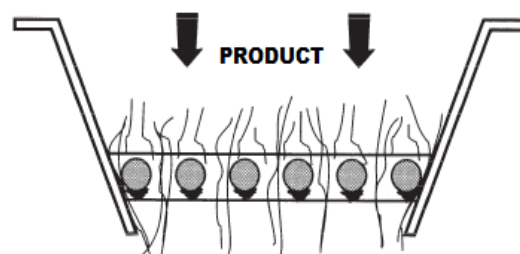
Tubes made in stainless steel.

Resistant design and high quality.

Options:

316L stainless steel

Special sizes on request



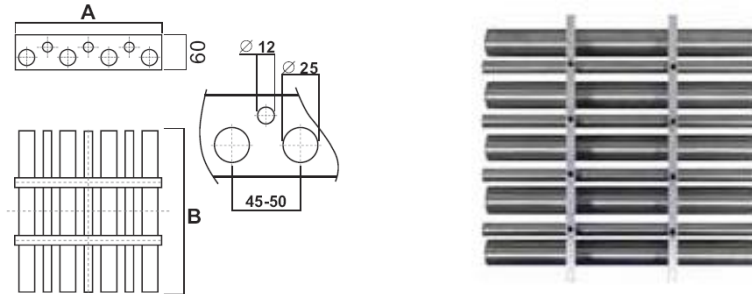
**FERROUS CONTAMINANTS
COLLECTS UNDER MAGNETIC
TUBES**

Installation

MAGNETIC GRID

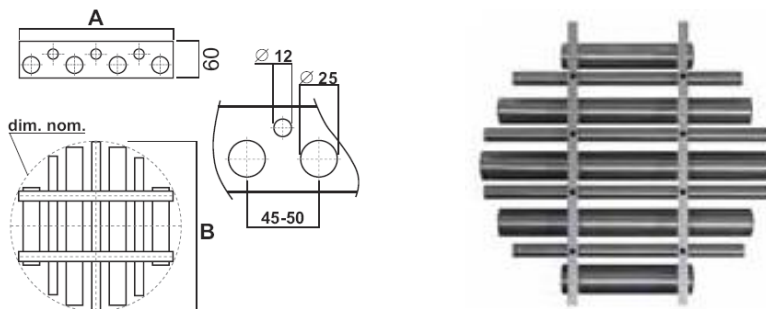
TECHNICAL DATA SHEET

Square type



Model	A	B	Num. Of Bars	Num. Of Supports	Gauss	Flow	Weight
RMN150150C2BF RMN150150C2BND	125	150	3	2	4000 8000	4 m ³	1,4 Kg
RMN200200C2BF RMN200200C2BND	175	200	4	2	4000 8000	6 m ³	2,7 Kg
RMN250250C2BF RMN250250C2BND	230	250	5	2	4000 8000	8 m ³	4,1 Kg
RMN300300C2BF RMN300300C2BND	280	300	6	2	4000 8000	10 m ³	5,7 Kg
RMN350350C2BF RMN350350C2BND	330	350	7	2	4000 8000	12 m ³	8,6 Kg
RMN400400C2BF RMN400400C2BND	395	400	8	2	4000 8000	16 m ³	12,1 Kg

Round type



Model	A	B	Num. Of Bars	Num. Of Supports	Gauss	Flow	Weight
RMN150150R2BF RMN150150R2BND	125	150	3	2	4000 8000	4 m ³	1,4 Kg
RMN200200R2BF RMN200200R2BND	175	200	4	2	4000 8000	6 m ³	2,7 Kg
RMN250250R2BF RMN250250R2BND	230	250	5	2	4000 8000	8 m ³	4,1 Kg
RMN300300R2BF RMN300300R2BND	280	300	6	2	4000 8000	10 m ³	5,7 Kg
RMN350350R2BF RMN350350R2BND	330	350	7	2	4000 8000	12 m ³	8,6 Kg
RMN400400R2BF RMN400400R2BND	395	400	8	2	4000 8000	16 m ³	12,1 Kg